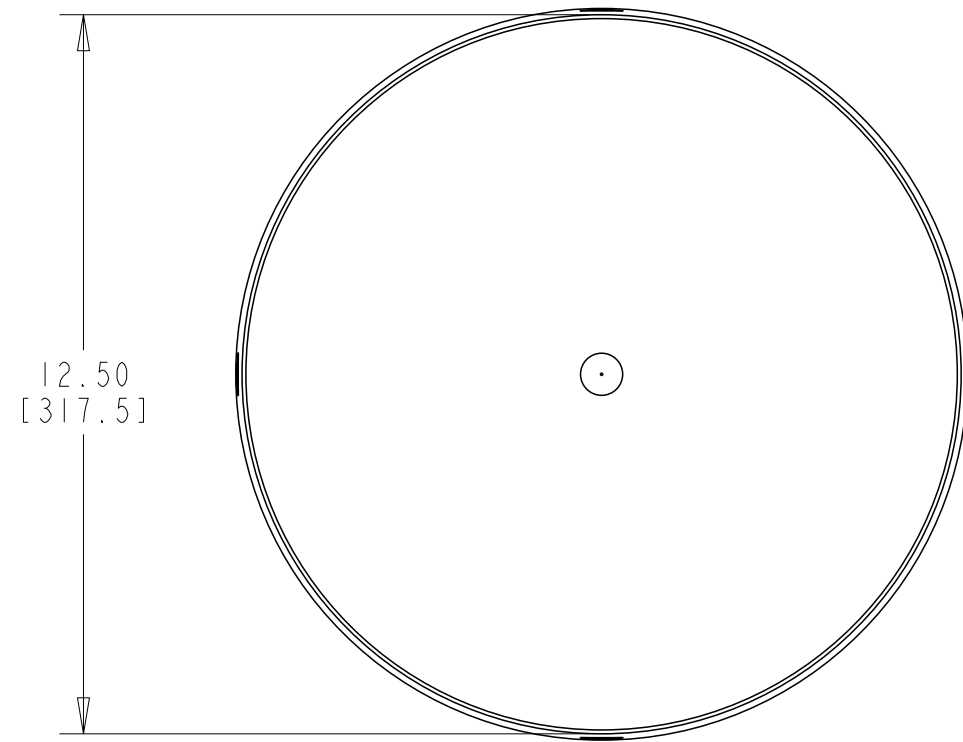
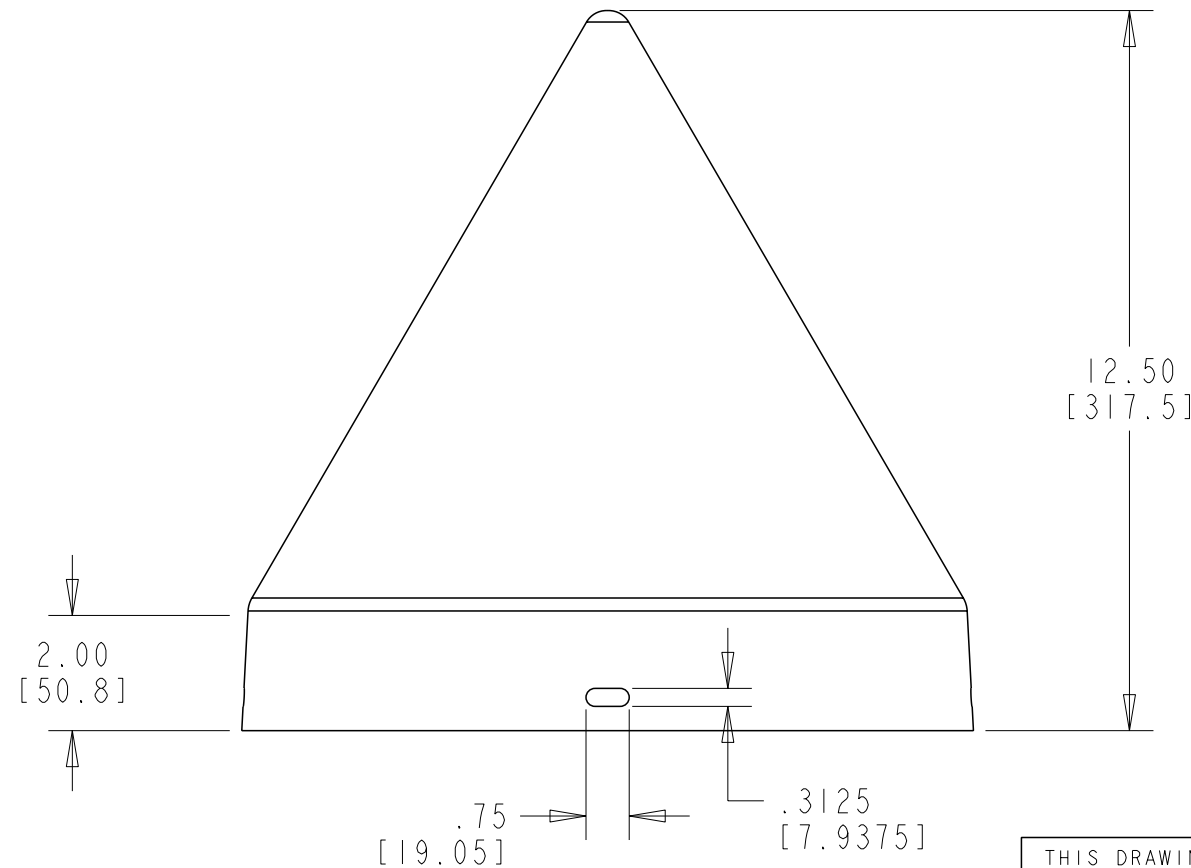


P	LTR	DESCRIPTION	DATE	DWN	APVD
	A	INITIAL RELEASE	14NOV2022	HM	LH



SCALE 1:4



NOTES:

- KITTED 6 PER BOX.
- EACH BOX SHALL BE LABELLED WITH DESCRIPTION, LOT NUMBER, PART NUMBER MANUFACTURING DATE, AND QUANTITY.

ER2544-000  
PART NO.

THIS DRAWING IS A CONTROLLED DOCUMENT.		DWN H. MANJUNATH 14NOV2022												
DIMENSIONS: INCH[MM]		CHK S. LIGHT 14NOV2022												
TOLERANCES UNLESS OTHERWISE SPECIFIED:		APVD L. HILLER 14NOV2022												
<table border="0"> <tr><td>0 PLC</td><td>±-</td></tr> <tr><td>1 PLC</td><td>±.1</td></tr> <tr><td>2 PLC</td><td>±.02</td></tr> <tr><td>3 PLC</td><td>±.005</td></tr> <tr><td>4 PLC</td><td>±.0005</td></tr> <tr><td>ANGLES</td><td>±-</td></tr> </table>		0 PLC			±-	1 PLC	±.1	2 PLC	±.02	3 PLC	±.005	4 PLC	±.0005	ANGLES
0 PLC	±-													
1 PLC	±.1													
2 PLC	±.02													
3 PLC	±.005													
4 PLC	±.0005													
ANGLES	±-													
MATERIAL -	FINISH -	APPLICATION SPEC -	NAME BCIC-12.5-PT (B6)	RESTRICTED TO -										
		WEIGHT -	SIZE A3	CAGE CODE 00779										
		CUSTOMER DRAWING	DRAWING NO E00002128	SCALE 3:10										
			SHEET 1	OF 1										
			REV A											

printed on 15 Nov 2022 11:17 (India Standard Time) from IE397707